



# RADIATION HEAT SHIELDING STRUCTURE AND PANELLING.

- SURVEY
- DESIGN
- MANUFACTURE
- INSTALLATION

## Panels

*Panels designed to fit existing rig structure, including entire derrick, crane and lifeboat locations.*

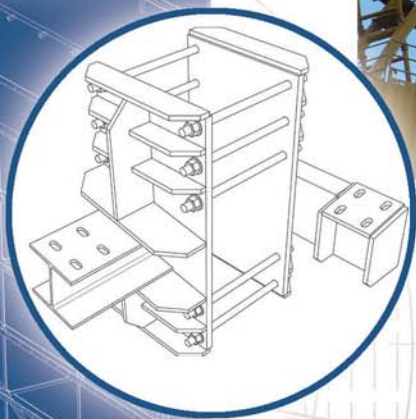
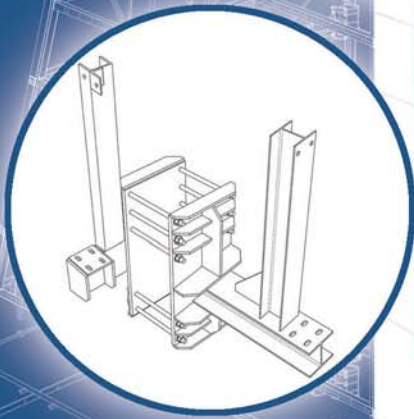


PORT AFT ELEVATION



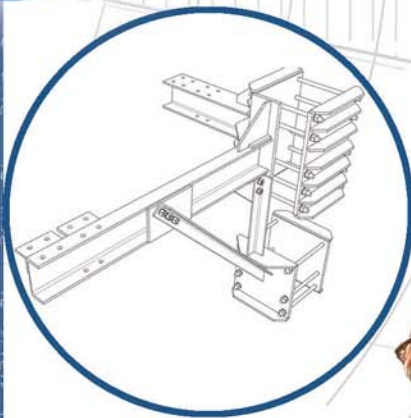
## Installation of Panels

*Both the lifeboats & the crane sheaves required protection.*



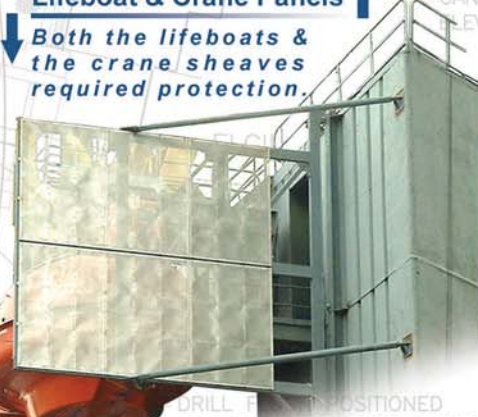
## Brackets

*Over 35 different types of bracket and over 50 in total were designed, manufactured and installed to support the heat shield panels to the existing frame of the derrick.*



## Lifeboat & Crane Panels

*Both the lifeboats & the crane sheaves required protection.*



CANTILEVER ELEVATION

DRILL TO BE POSITIONED AT THE WORST CASE POSITION RELATIVE TO FLARE BOOM TIP

## MSD DESIGN LTD

Unit 1  
Logman Centre  
Greenbank Crescent  
East Tullos  
Aberdeen AB12 3BG

Tel. +44 (0) 1224 897238  
Fax +44 (0) 1224 898037

www.msddesignltd.com  
www.grpaberdeen.com

DERRICK WALK AROUND ELEVATION +79000 (LAT)